




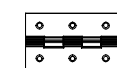
ZMT

 4,0 x 25 #32

 4,0 x 40 #1

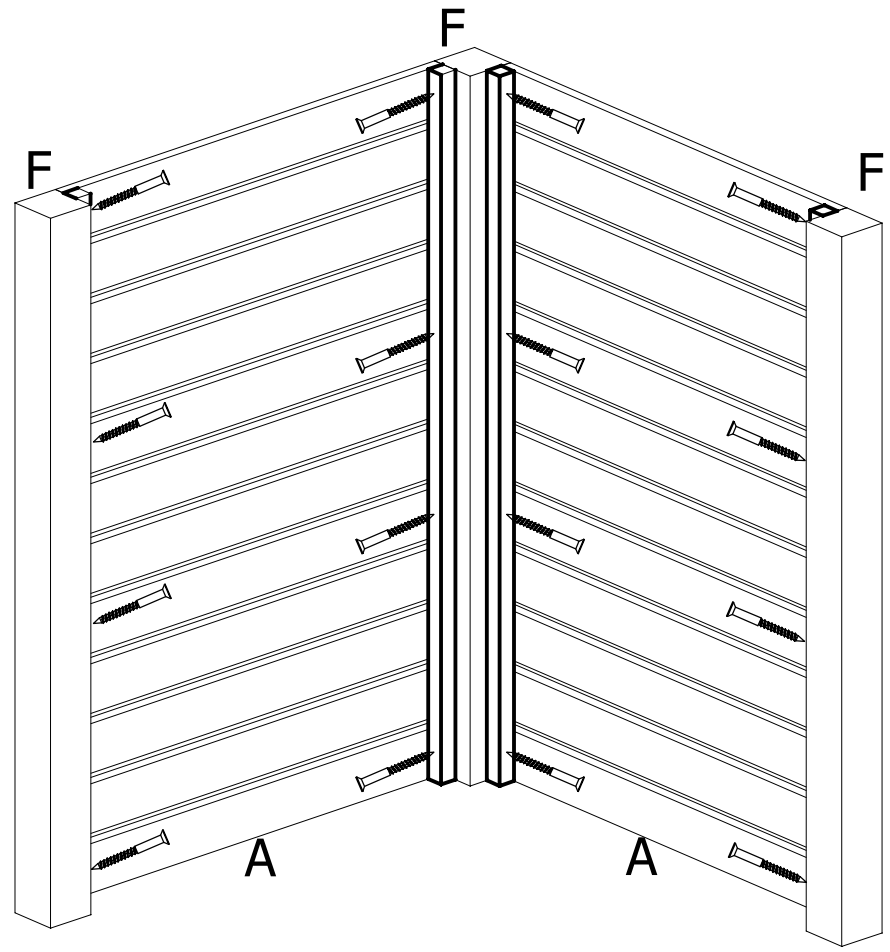
 4,0 x 70 #30

 M4 #1

 #4

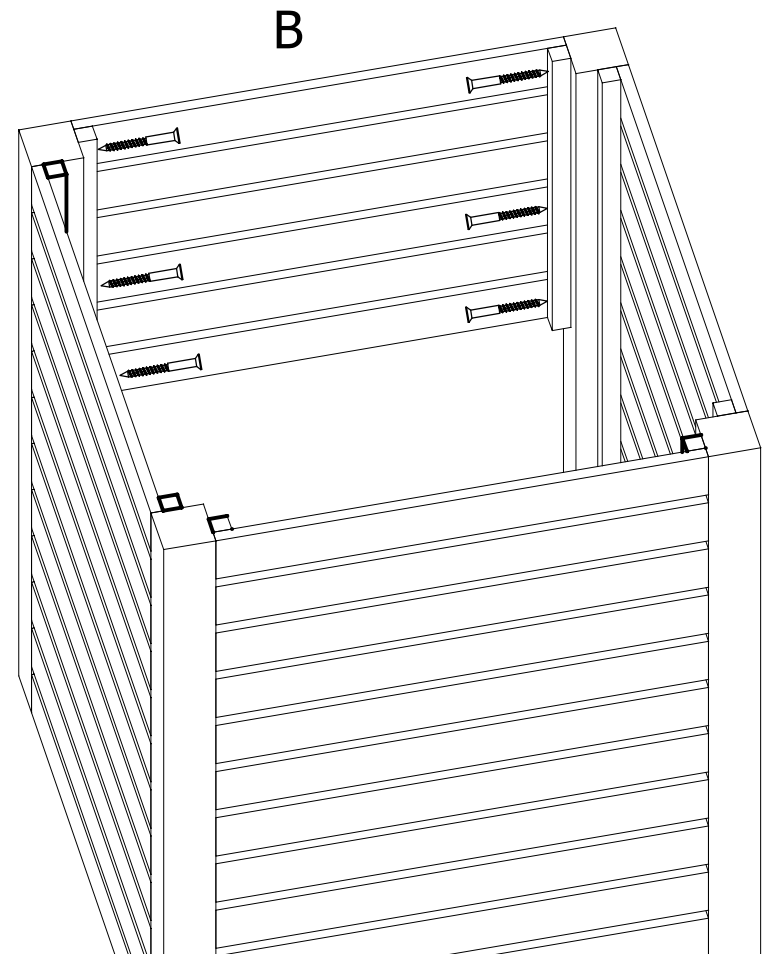
Ref.	Bruto	L	Index	#
A S748-A		1000	3	
B S748-B		660	1	
C S748-C		660	1	
D S748-D		800	1	
E S748-E		465	1	
F S748-F		800	4	

A = 2
F = 3
4,0 x 70 #16



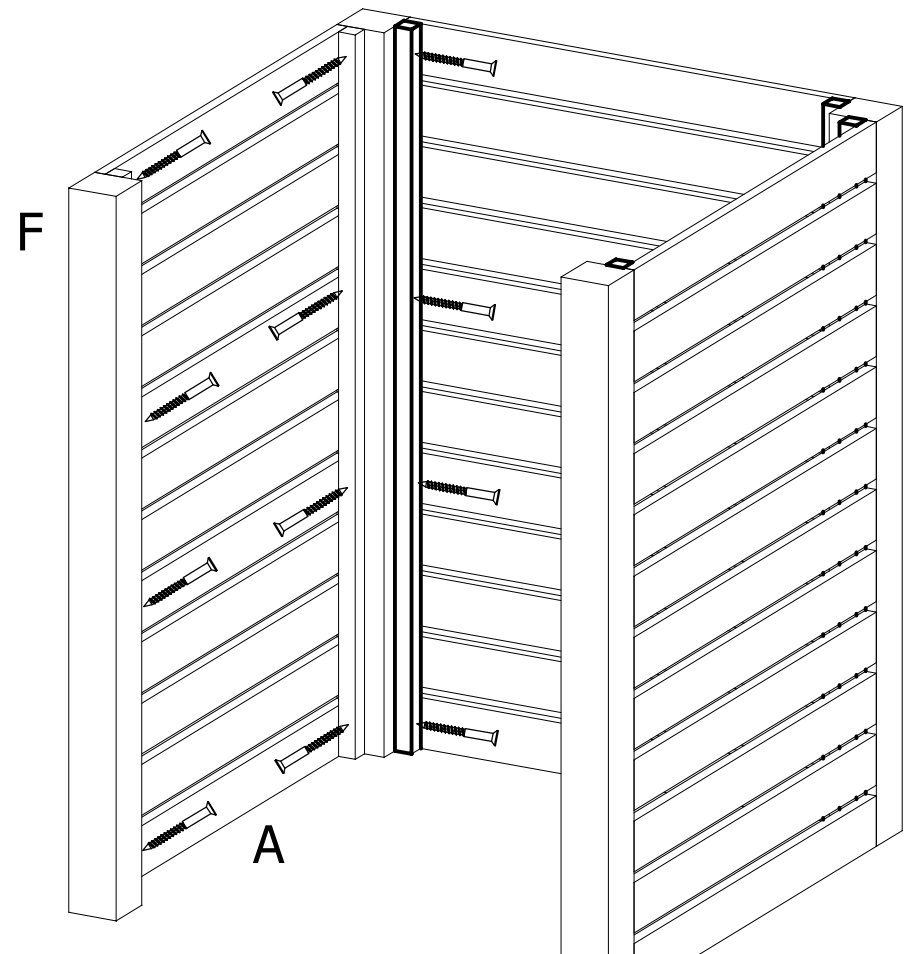
1

B = 1
4,0 x 70 #6



3

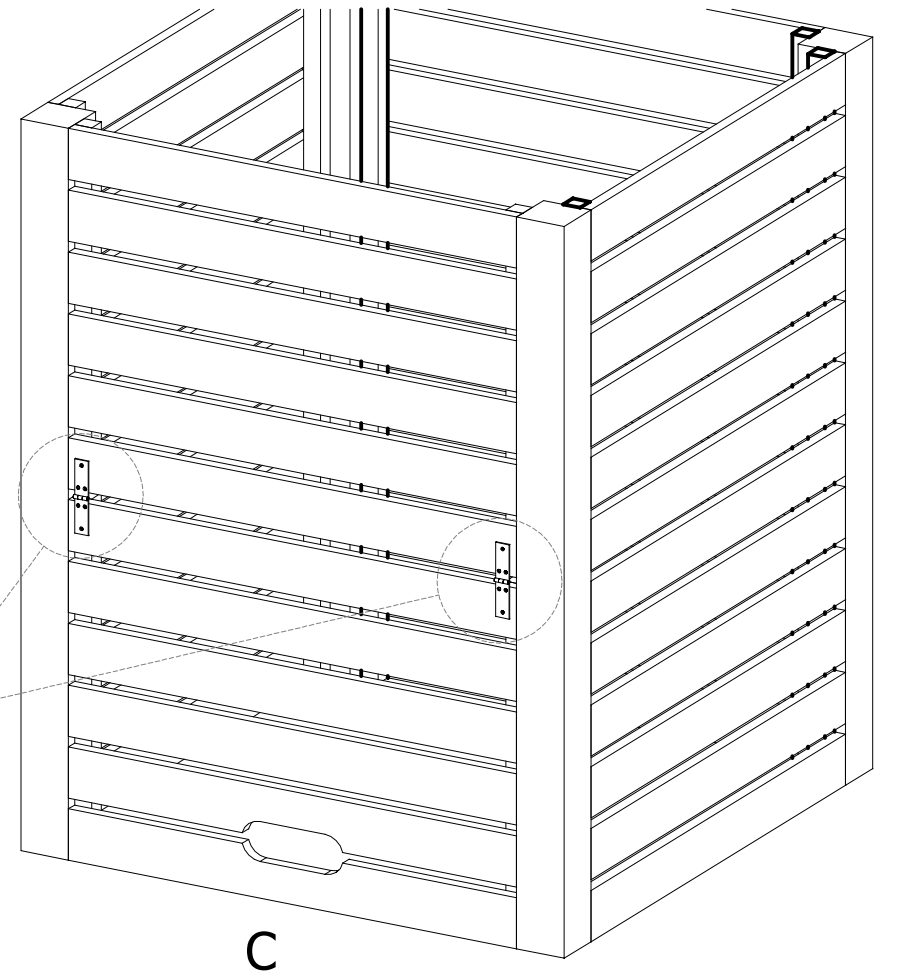
A = 1
F = 1
4,0 x 70 #12



2

C = 1

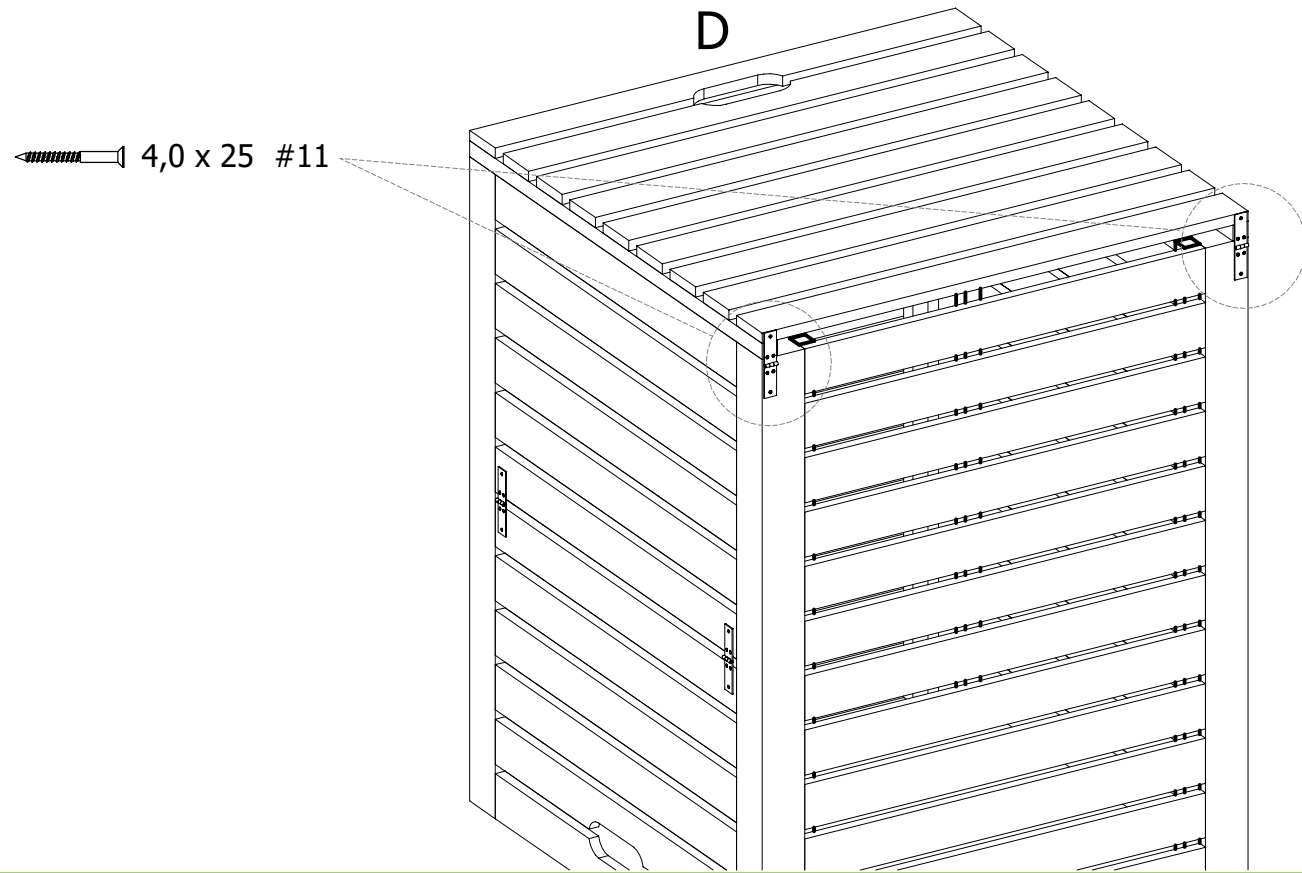
4,0 x 25 #11



4

D = 1

1



E = 1

2

4,0 x 40 #1

M4 #1

